

[TopPage](#)>>[Search Result](#)>>7222BDB

# Angular Contact Ball Bearings

Bearing No. : **NACHI 7222BDB**

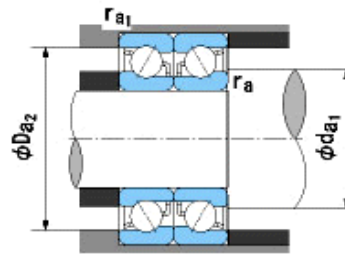
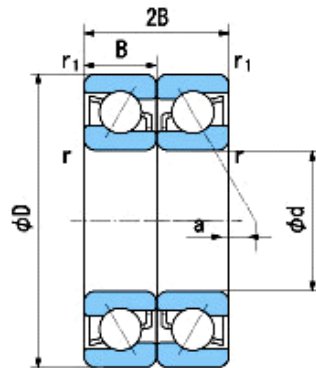
■ Bearing Type

■ Clearance

■ Tolerance Class

### Dimensions

d = 110<sup>0</sup><sub>-0.020</sub>  
 D = 200<sup>0</sup><sub>-0.030</sub>  
 B = 38<sup>0</sup><sub>0.000</sub>  
 r = 2.1~4  
 (Radial Direction)  
 r = 2.1~6.5  
 (Axial Direction)  
 r1 = 1.1~2  
 (Radial Direction)  
 r1 = 1.1~3.5  
 (Axial Direction)  
 a = 46.1



### Dimensions

da1(min) = 122  
 da2(min) = 117  
 Da1(max) = 188  
 Da2(max) = 193  
 ra(max) = 2  
 ra1(max) = 1  
 Mass = 9.24 kg

Basic Dynamic Load Rating Cr : **259,000** N

Basic Static Load Rating Cor : **298,000** N

Limiting Speed ;

Grease Lubrication : **2,000** min<sup>-1</sup>

Oil Lubrication : **2,800** min<sup>-1</sup>

	INNER RING	OUTER RING
O.D.Surface Runout with Side :		-
Axial Runout with Bore :	-	-
Axial Runout with Raceway :	-	-
Width Variation :	<b>0.025</b>	<b>0.025</b>
Radial Runout :	<b>0.025</b>	<b>0.050</b>